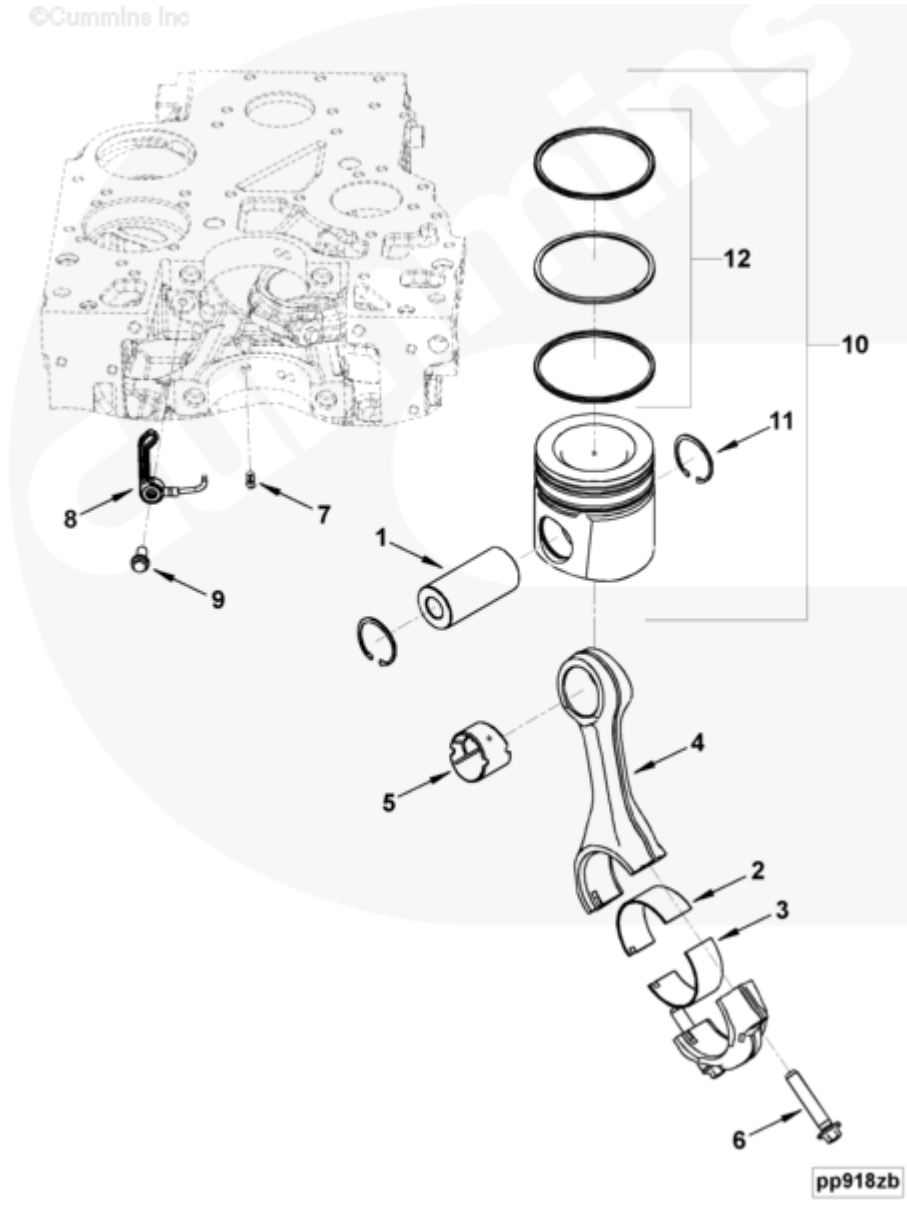




Parts Catalog - Option Detail

Electronic Parts Catalog - Option Detail				
Option	Group	Graphic	Film Card	Date
PP8464-02	01.04	pp918zb	T	01-OCT-03
Engines	4B3.9, 6A3.4, 6B5.9, B GAS INTERNATIONAL CM556, B4.5, B4.5 CM2350 B129B, B4.5 CM2350 B146C, B4.5 CM2350 B147B, B4.5 RGT, B4.5S, B5.9 G, B5.9 GAS PLUS CM556, B5.9 LPG, B5.9 LPG PLUS CM556, B6.7 CM2350 B121B, B6.7 CM2350 B135B, B6.7 CM2350 B136C, B6.7 CM2350 B148B, B6.7 G CMOH6.0 B125, B6.7N CM2380 B150B, B6.7S, F3.8 CM2350 F120B, F3.8 CM2350 F128C, F3.8 CM2350 F132B, F3.8 F102, G3.9, G5.9, G5.9 CM558, ISB (CHRYSLER), ISB CM2150, ISB CM2150 E, ISB CM550, ISB CM850, ISB/ISD4.5 CM2150 B119, ISB/ISD4.5 CM2150 SN, ISB/ISD6.7 CM2150 B120, ISB/ISD6.7 CM2150 SN, ISB/ISD6.7 CM2880 B126, ISB3.9 CM2220 B107, ISB4.5 CM2150, ISB5.9G CM2180, ISB6.7 2010 DCX PICKUP, ISB6.7 2013 DCX CHASSIS CAB, ISB6.7 CM2150 SQ, ISB6.7 CM2250, ISB6.7 CM2350 B101, ISB6.7 CM2350 B103, ISB6.7 CM2350 B142, ISB6.7 CM2670 B153B, ISB6.7 G CM2180 B118, ISBE CM2150, ISBE CM800, ISBE2/ISBE3 CM850, ISBE4 CM850, ISD4.5 CM2150, ISD6.7 CM2880 D101, ISF2.8 CM2220, ISF2.8 CM2220 AN, ISF2.8 CM2220 EC, ISF2.8 CM2220 ECF2, ISF2.8 CM2220 F101, ISF2.8 CM2220 F117, ISF2.8 CM2220 F122, ISF2.8 CM2220 F126, ISF2.8 CM2220 F129, ISF2.8 CM2220 IAN, ISF3.8 CM2220, ISF3.8 CM2220 AN, ISF3.8 CM2220 F103, ISF3.8 CM2220 F110, ISF3.8 CM2220 F116, ISF3.8 CM2220 F134B, ISF3.8 CM2220 IAN, ISF3.8 CM2350 F109, ISF4.5 CM2220 F123, ISG11 CM2880 G106, ISG11 CM2880 G108, ISG12 CM2880 G107, ISG12 CM2880 G109, ISG12 G CMOH6.0 G111, QSB3.9 30 CM550, QSB3.9 CM2880 B138, QSB4.5 30 CM550, QSB4.5 CM2150 B108, QSB4.5 CM2250 B131, QSB4.5 CM2250 EC, QSB4.5 CM2350 B106, QSB4.5 CM2350 B122			



SMALL | MEDIUM | LARGE

Cart	Ref No	Part Number	Part Description	Required	Remarks
View My Cart					
		PP8464-02	Connecting Rod And Piston		Connecting Rod and Piston...(More)
					Technical Model Name:
					6BTA5.9-ME
					Engine Family: "B" Series
					CPL: 8464
					Certified By: None
					Not Used:
					Cylinders: 6
					Not Used:

					Engine Aspiration: Sea Water
					Aftercooled
					Engine Control System: E2I
					Engine Application: Marine
					Comments:
					Service Model Name: QSB
					ECM Version: CM850
					Centinel Provision: N/A
<input type="checkbox"/>	1	3934047	Piston Pin	6	
	2	3939859	Connecting Rod Bearing	6	Standard
<input type="checkbox"/>	3	4893693	Connecting Rod Bearing	6	Standard.
<input type="checkbox"/>		3954658	Engine Connecting Rod	6	
	4	3954657	Engine Connecting Rod	1	
<input type="checkbox"/>	5	4891178	Bushing	1	
<input type="checkbox"/>	6	4891179	Connecting Rod Cap Screw	2	
<input type="checkbox"/>	7	3959574	Piston Cooling Plug	6	
<input type="checkbox"/>	8	3968877	Piston Cooling Nozzle	6	
<input type="checkbox"/>	9	3964817	Banjo Connector Screw	6	
<input type="checkbox"/>	10	4089950	Piston Kit	6	Standard
		3965497	Engine Piston	1	Serviced as 4089950
<input type="checkbox"/>	11	3920691	Retaining Ring	2	
<input type="checkbox"/>	12	4089948	Piston Ring Set	1	
		3932520	Oil Piston Ring	1	Sold In Higher Level Assy/Kit
		3943447	Compression Piston Ring	1	
		3945827	Compression Piston Ring	1	
<input type="checkbox"/>	10	4089976	Piston Kit	6	0.50 mm Oversize
		3966675	Engine Piston	1	Serviced as 4089976
<input type="checkbox"/>	11	3920691	Retaining Ring	2	

<input type="checkbox"/>	12	4089974	Piston Ring Set	1	
<input type="checkbox"/>	10	4089977	Piston Kit	6	1.00 mm Oversize
		3966676	Engine Piston	1	Serviced as 4089977
<input type="checkbox"/>	11	3920691	Retaining Ring	2	
<input type="checkbox"/>	12	4089975	Piston Ring Set	1	
	2	3901171	Connecting Rod Bearing	A/R	0.25 mm Oversize
	2	3901172	Connecting Rod Bearing	A/R	0.50 mm Oversize
	2	3901173	Connecting Rod Bearing	A/R	0.75 mm Oversize
	2	3901174	Connecting Rod Bearing	A/R	1.00 mm Oversize
<input type="checkbox"/>	3	4892795	Connecting Rod Bearing	A/R	0.25 mm Oversize.
<input type="checkbox"/>	3	4892796	Connecting Rod Bearing	A/R	0.50 mm Oversize.
<input type="checkbox"/>	3	4892797	Connecting Rod Bearing	A/R	0.75 mm Oversize.
<input type="checkbox"/>	3	4892798	Connecting Rod Bearing	A/R	1.00 mm Oversize.